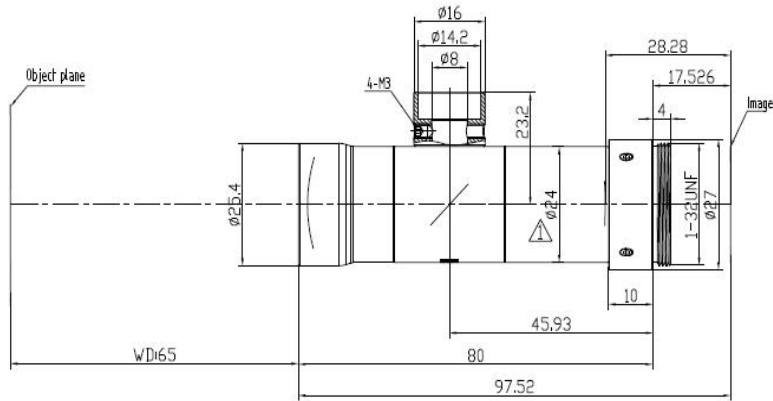
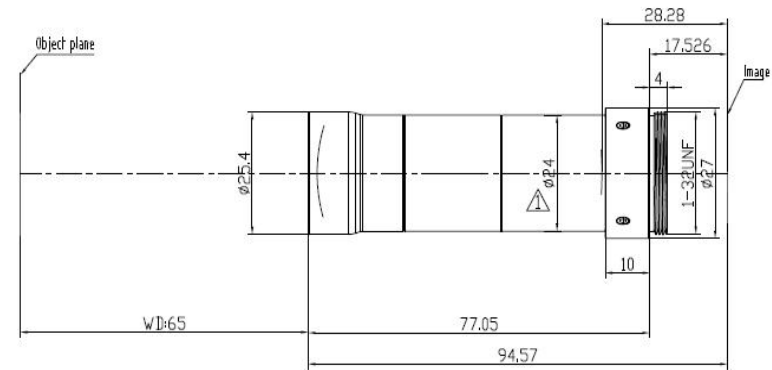


Low Magnification NIR STANDARD Telecentric Lens for 2/3"

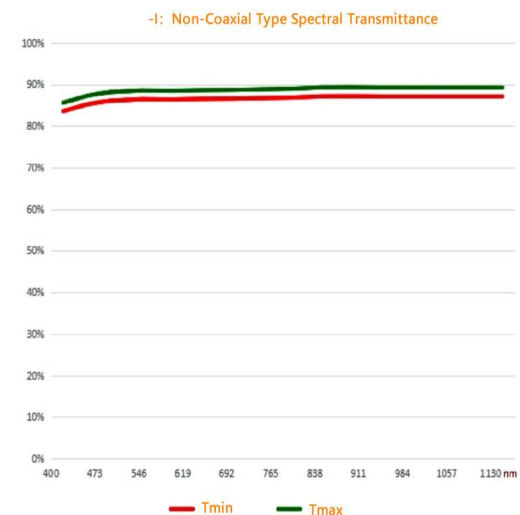
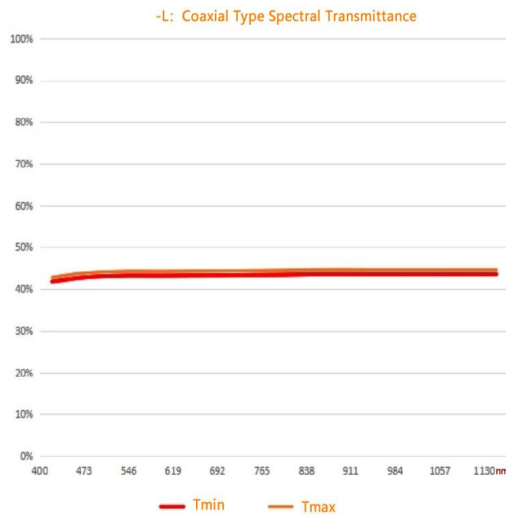
Model	Spectrum (nm)	Light Type	Sensor Type	Magnification	Mag	W.D.	F.NO	Numerical Aperture	Telecentricity	TV Distortion	Depth Of Field(mm)	Object Resolution	TTL (mm)	Mount	2/3" FOV (D×H×V)	1/1.8" FOV (D×H×V)	1/2" FOV (D×H×V)	Dimensions (mm)	Weight (g)
SMT23IR2W65C-L	400-1250 Low	Coaxial	2/3"	2X	2	65mm	13.5	0.074	<0.05°	<0.1%	0.152	4.5um	97.52	C	5.5×4.4×3.3	3.6×2.65	3.2×2.4	φ27×80	92.9
SMT23IR2W65C-I	400-1250 High	Non-Coaxial	2/3"	2X	2	65mm	13.5	0.074	<0.05°	<0.1%	0.152	4.5um	94.57	C	5.5×4.4×3.3	3.6×2.65	3.2×2.4	φ27×77.05	76.4



SMT23IR2W65C-L



SMT23IR2W65C-I



Unit: mm

TOLERANCE :
LINEARITY TOLERANCES: ±0.05
ANGULAR TOLERANCES ARE: ±30'
DRAFT ANGLES AREA: ±0.5°/SIDE

Trigonometry